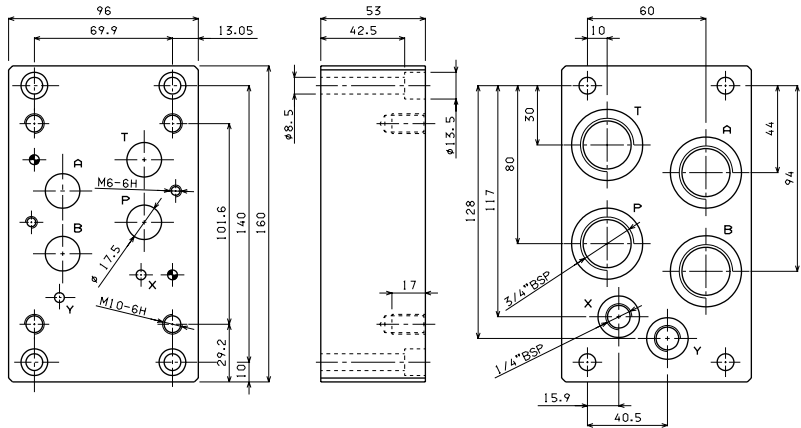


BSH.7.12 WITH P, T, AND A, B REAR 3/4" BSP

- BSH** Single plate for piloted valve
- 7** CETOP 7/NG16
- 12** 3/4" BSP rear connectors
- 00** No variant
- 1** Serial No.

Weight: 5,5 Kg

Fixing screws M8x55 UNI 5931

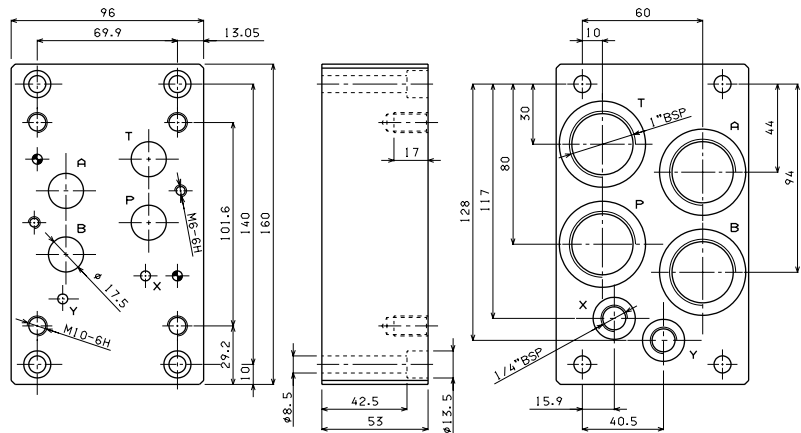


BSH.7.13 WITH P, T AND A, B REAR 1" BSP

- BSH** Single plate for piloted valve
- 7** CETOP 7/NG16
- 13** 1" BSP rear connectors
- 00** No variant
- 1** Serial No.

Weight: 4,7 Kg

Fixing screws M8x55 UNI 5931

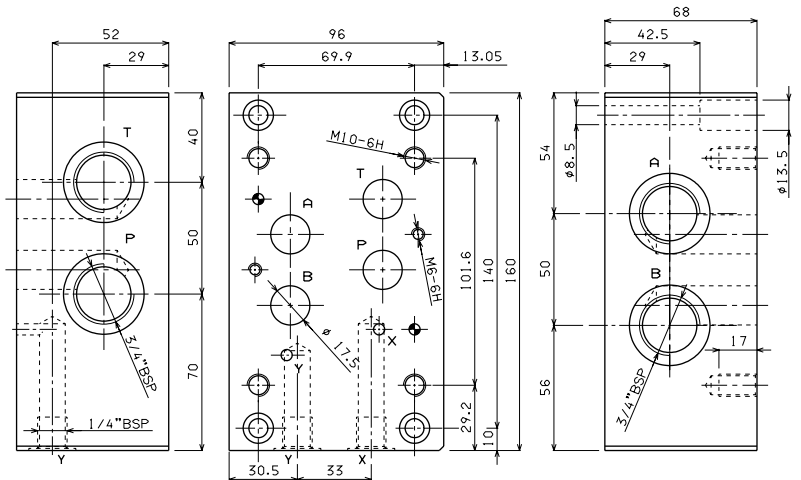


BSH.7.14 WITH P, T AND A, B SIDE 3/4" BSP

- BSH** Single plate for piloted valve
- 7** CETOP 7/NG16
- 14** 3/4" BSP side connectors
- 00** No variant
- 1** Serial No.

Weight: 6,3 Kg

Fixing screws M8x55 UNI 5931

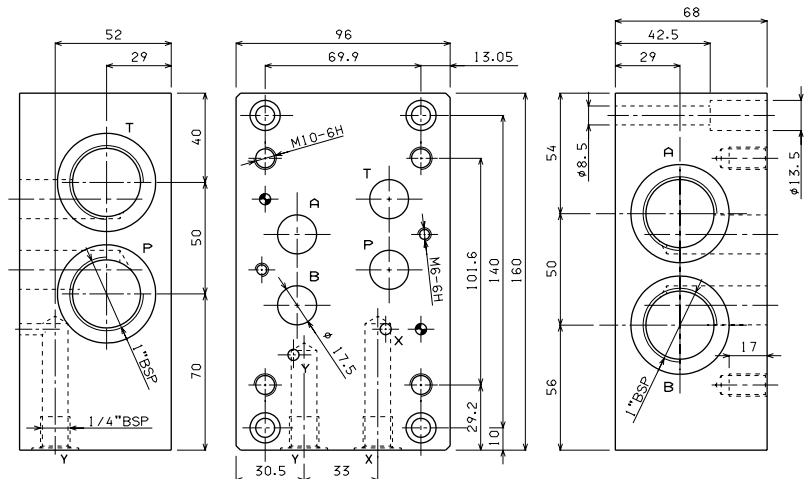


1

BSH.7.15 WITH P, T AND A, B SIDE 1" BSP

- BSH** Single plate for piloted valve
- 7** CETOP 7/NG16
- 15** 1" BSP side connectors
- 00** No variant
- 1** Serial No.

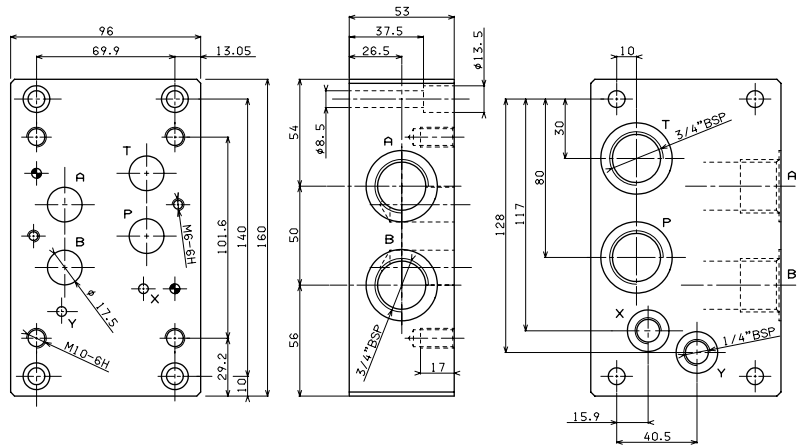
Weight: 6,3 Kg
Fixing screws M8x55 UNI 5931



BSH.7.16 WITH P AND T REAR, A AND B SIDE 3/4" BSP, X AND Y REAR

- BSH** Single plate for piloted valve
- 7** CETOP 7/NG16
- 16** 3/4" BSP rear and side connectors
- 00** No variant
- 1** Serial No.

Weight: 5,1 Kg
Fixing screws M8x50 UNI 5931



BSH.7.17 WITH P AND T REAR, A AND B SIDE 1" BSP, X AND Y REAR

- BSH** Single plate for piloted valve
- 7** CETOP 7/NG16
- 17** 1" BSP rear and side connectors
- 00** No variant
- 1** Serial No.

Weight: 5,3 Kg
Fixing screws M8x55 UNI 5931

